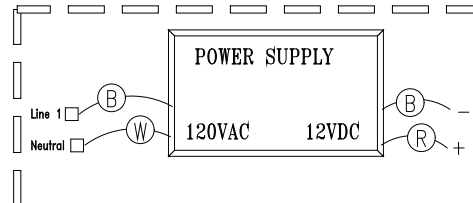
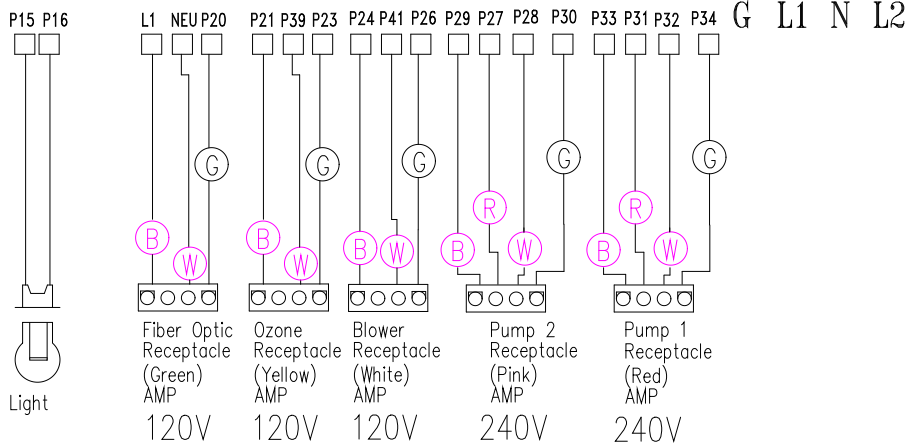
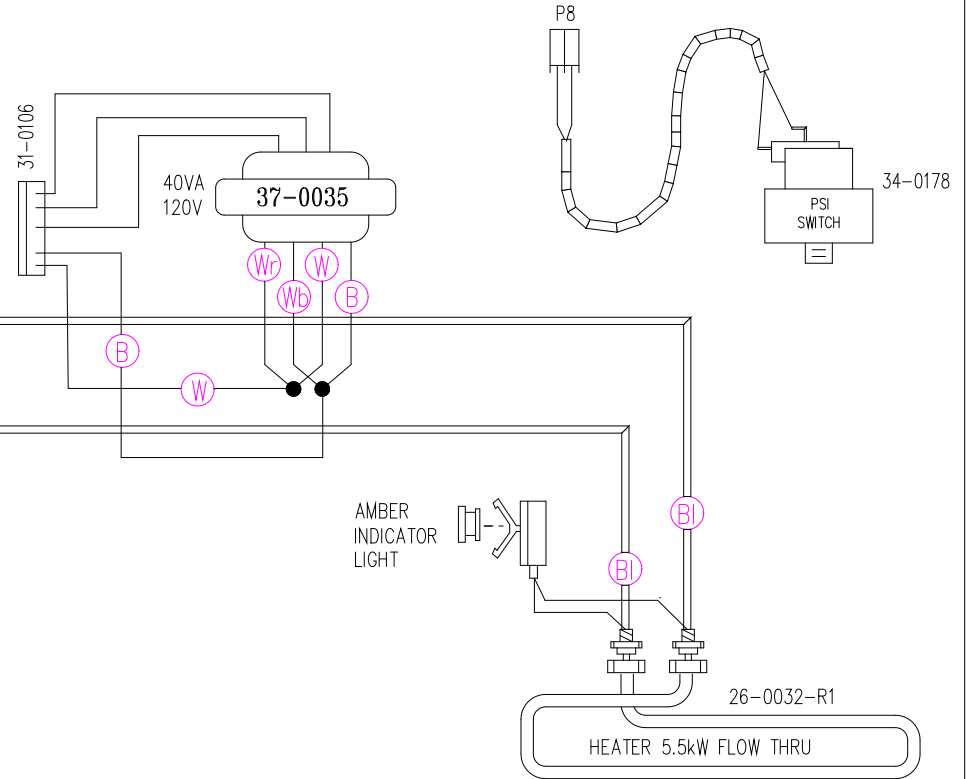
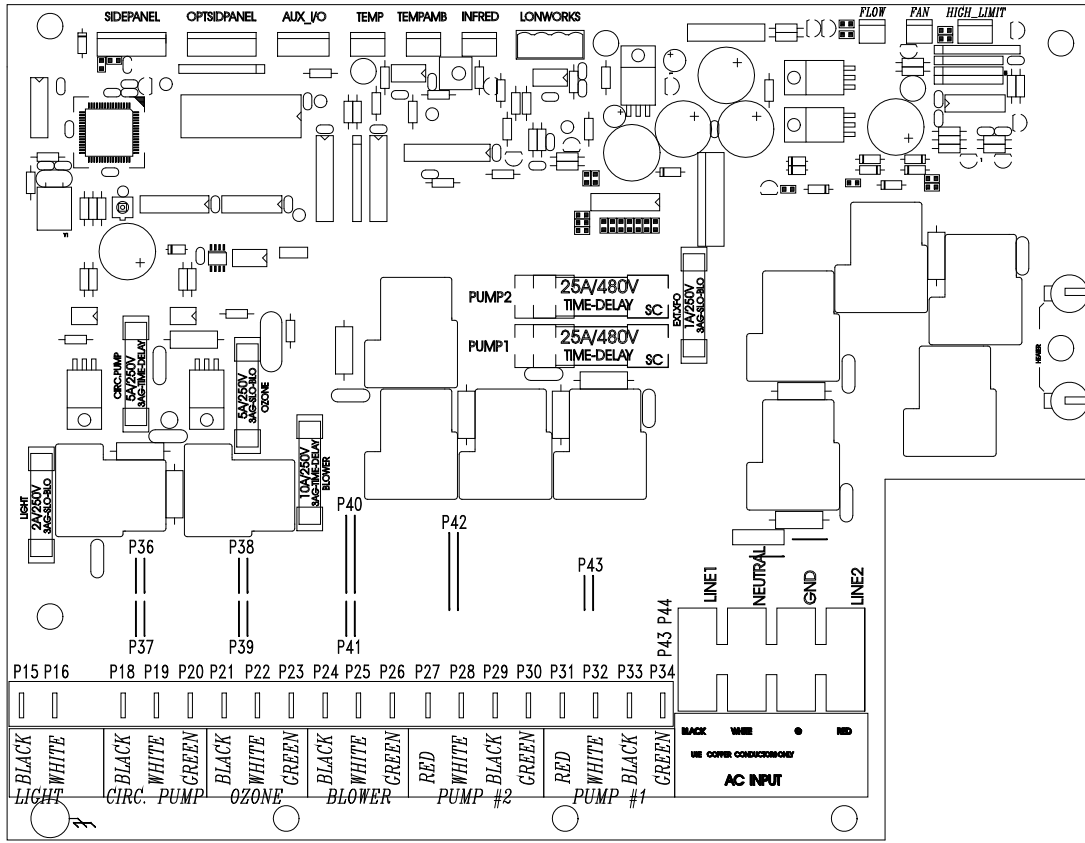


33-0011-R4



LEGEND	
□	- 1/4" QUICK CONNECT
▤	- 1/4" QUICK CONNECT PIGGYBACK
⊞	- FORK CONNECTOR
○	- RING CONNECTOR
▭	- SOCKET CONNECTOR
△	- PIN CONNECTOR

HYDRO-QUIP
CORONA, CA (909) 273-7575

Manufacture Notes:

Approved By:

Dwg. No.
D221A0-DKPQY-Z6

Drawn
BH
Date
06.14.01
Diagram No.
4610

Wire Color Code	
B - Black	G - Green
Br - Brown	Bl - Blue
R - Red	V - Violet
O - Orange	W - White
Y - Yellow	Gr - Gray